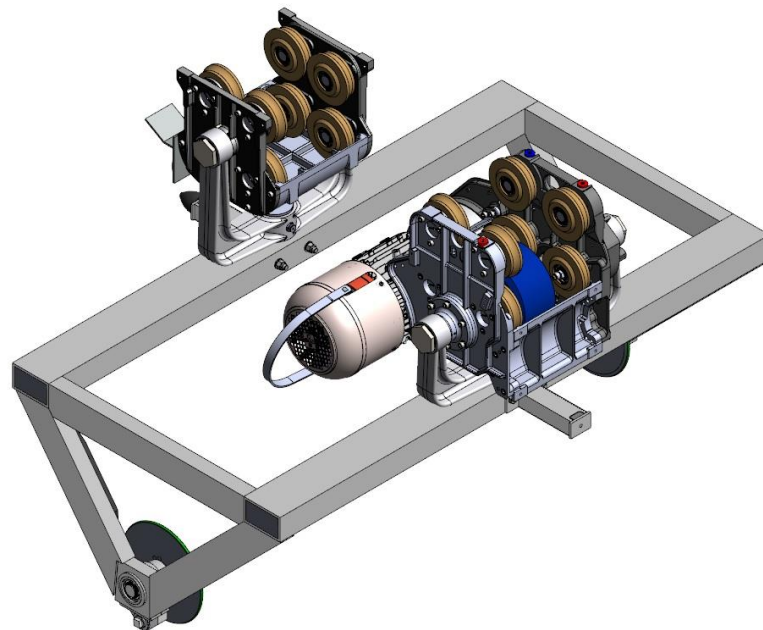




Automatic Von-Roll goods transport system



Our expertise – your security

- The only manufacturer with ongoing series production after DIN EN ISO 9001:2015
- Many product improvements realized and implemented
- Property rights for in-house developments
- FEM calculation for all load-bearing parts according to the FKM guideline and series introduction of the changes
- Optimization of the braking system through the introduction of an electromagnetic brake with manual release
- Improved ergonomics
- Complete documentation of all components and assemblies
- Parts lists, drawings and assembly instruction
- Operating manual
- Control function optional